

SOLACE

ACOUSTIC PANELS



RIPPLE

HEARTLAND
COLLECTION

844.458.8115 | heartlandcollection.us



RIPPLE (SOLID)

Acoustical Ceiling Block Structure

Architectural geometry creates a three-dimensional ceiling application that can snap right into a T-Grid or even be transformed into a suspended installation. RIPPLE (SOLID) is formed into a pleasing wave-like ripple with a hollow cavity for optimal sound absorption. RIPPLE (SOLID) can be used independently or mixed and matched with with RIPPLE (SLICE).

Application	Ceiling Grid Application			
	L	W	H	WEIGHT
RIPPLE (SOLID)	24"	24"	4"	1.9 lbs.

Hardware

Default: Drop Ceiling: Magnet

Material Content 9 mm 100% PET (55% recycled content)

Flammability ASTM E84 Class A or B

Acoustics

Frequency (Hz)	250	500	1K	2K	NRC
NRC	0.50	0.97	1.07	1.07	1.0
Sabins per m ²	3.96	6.48	7.16	7.15	

Test was conducted while product was in its actual installation setting

All NRC testings assumes one face/one object and does not account for the product thickness

Environment

Low VOC;
Post-Consumer Recycled Content
100% Recyclable

Installation

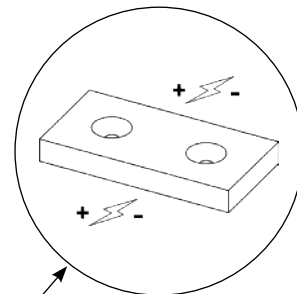
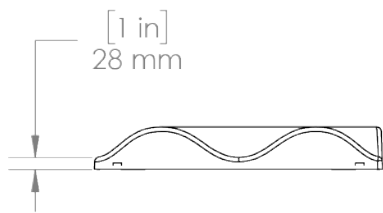
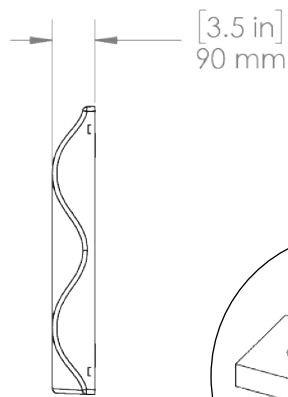
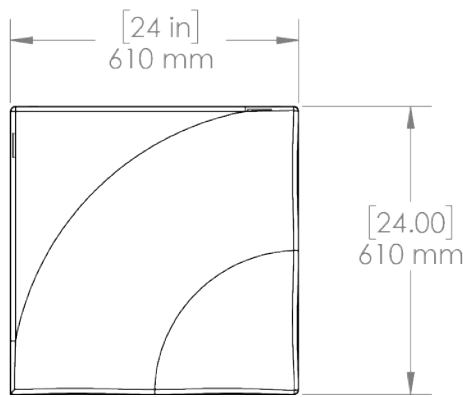
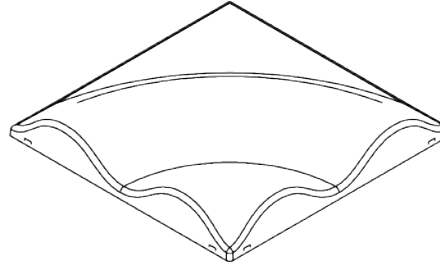
RIPPLE (SOLID) comes fully constructed with magnetic backings for simple and fast installation to existing T-Grid ceiling. Custom installing may be requested for other ceiling types.

Country of Origin

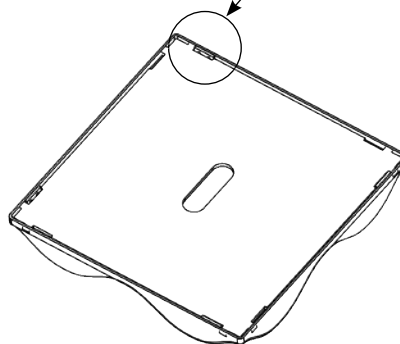
USA

RIPPLE (SOLID)

Dimensions

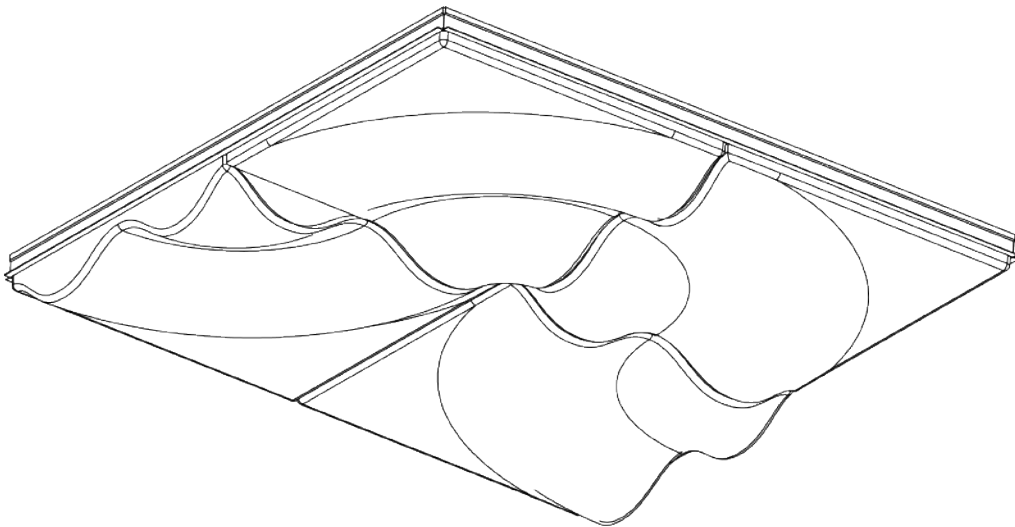
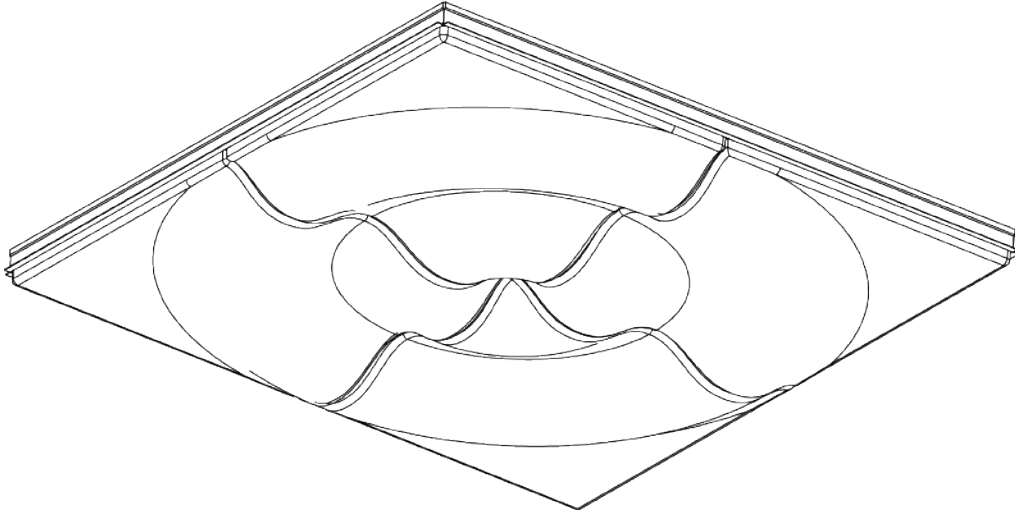


* Magnets come pre-installed



RIPPLE (SOLID)

Ceiling Layouts





RIPPLE (SLICE)

Acoustical Drop Grid Ceiling Application

Make waves with the subtle fluidity of RIPPLE (SLICE). The unique geometry uses thin, PET blades for a fan-like aesthetic. RIPPLE (SLICE) snaps into any existing T-Grid with our patent pending Spike Bracket for easy installation. RIPPLE (SLICE) can be mixed and matched with RIPPLE (SOLID) or installed independently for a streamlined look.

Application Ceiling Grid Application

	L	W	H	WEIGHT
RIPPLE (SLICE)	24"	24"	4"	1.9 lbs.

Custom sizing available

Hardware

Default: Drop Ceiling: Spike Bracket, Bracket Joiner

Material Content 9 mm 100% PET (55% recycled content)

Flammability ASTM E84 Class A or B

Acoustics

Frequency (Hz)	250	500	1K	2K	NRC
NRC	0.35	0.54	0.85	1.22	1.0
Sabins per m²	1.40	2.17	3.39	4.89	

Test was conducted while product was in its actual installation setting

All NRC testings assumes one face/one object and does not account for the product thickness

Environment

Low VOC;
Post-Consumer Recycled Content
100% Recyclable

Installation

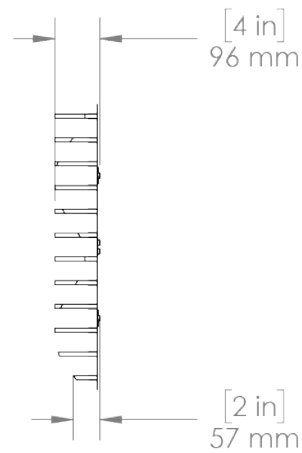
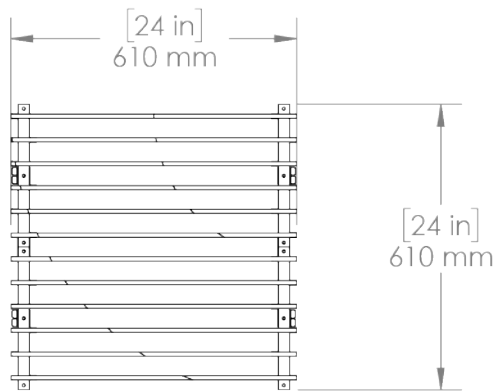
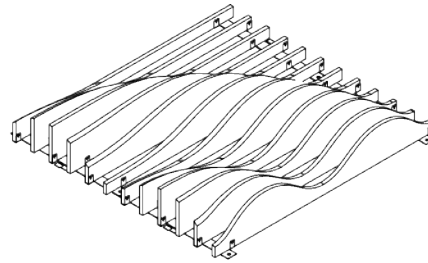
RIPPLE (SLICE) comes fully constructed with LF Spike Bracket assembly for simple and fast installation to existing T-Grid ceiling. Custom installing may be requested for other ceiling type.

Country of Origin

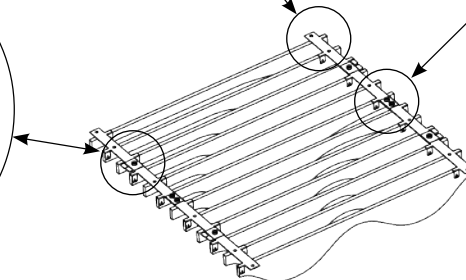
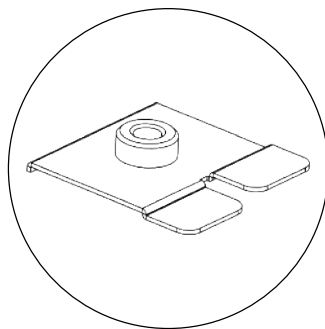
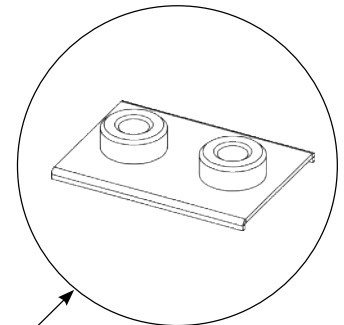
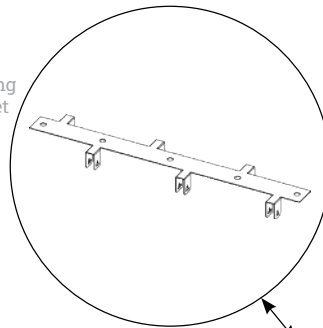
USA

RIPPLE (SLICE)

Dimensions & Hardware Info



Patent Pending
Spike Bracket



RIPPLE (SLICE) Ceiling Layouts

